

# ER 40 VENT

## Heating Radiator Vent Valves



### Application

#### Permanent and automatic venting.

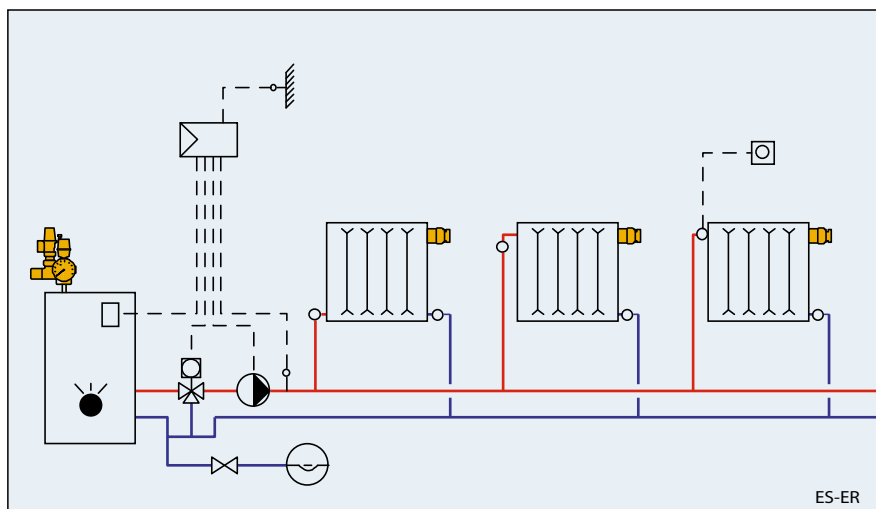
The ER 40 VENT valves can be used in all systems of water. The valve automatically vents hydraulic systems such as heating radiators, pipe manifolds, pipes, boilers, reservoirs and under-floor heating manifolds on a continuous basis.

This automatic function improves operational safety (corrosion reduction) and enhances the user's comfort (no airborne noises).

The manual quick-venting allows the fast filling in of the system due to the venting capacity.

### Advantages

- Reliable, long-life operation
- Versatile application in water-ducting systems
- Additional manual quick-venting
- Built-in automatic check valve requires no draining of the system in case of replacement of the valve insert
- Small and compact design
- Saving of energy by optimal vented system



### Operation

The automatic operation of the vent valve relies on the special swelling discs built in the valve insert. In dry conditions, the swell discs allow air and gas to escape. The immediate swelling prevents water leakage. Manual air venting is achieved by undoing the knurled screw head and allowing air and gas to escape. Replacement of the valve insert (including seal and swelling discs) is possible due to the automatic check valve integrated in the vent valve. At the first start of operation, it's possible that a few drops come out as long as the swelling discs are dry. This doesn't occur in operation.

# ER 40 VENT

## Heating Radiator Vent Valves



### Specification text

ER 40 VENT automatic heating radiator vent valve for venting heating water. Automatic venting by swelling discs. Built in automatic check valve. Replacement of the valve insert is possible during operation.

### Type programme

Code-no.	DN	G	Self-sealing
240.5417.000	6	1/8"	-
240.5418.000	8	1/4"	-
240.5419.000	10	3/8"	-
240.5420.000	15	1/2"	yes

### Technical data

Nominal width::

- 1/8" to 3/8"
- 1/2" self-sealing (O-ring)

Operating temperature: TB 115 °C

Operating pressure:  
PB 8.5 bar

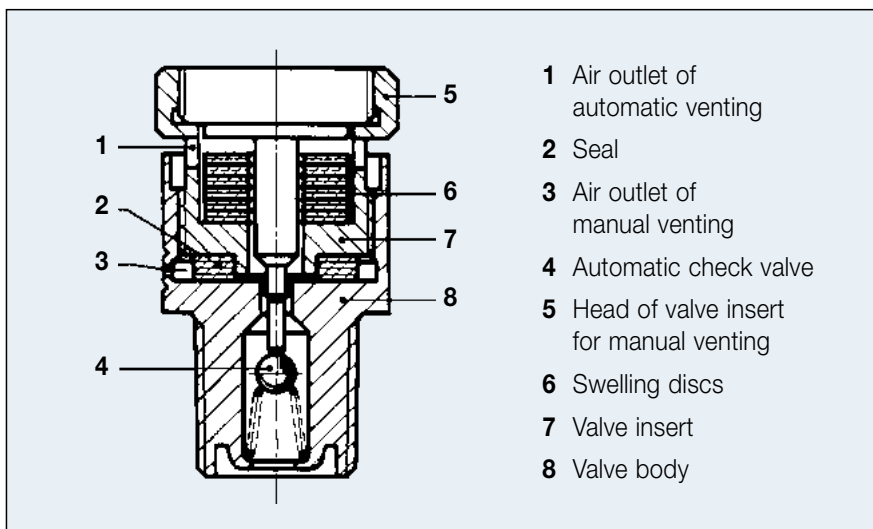
Material:

Valve body: brass nickel-plated

Valve insert: brass nickel-plated

Automatic check valve: stainless steel

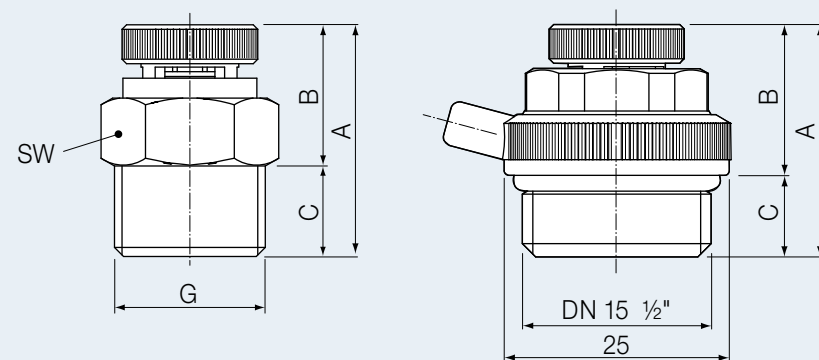
Seals: silicone, EPDM



### Fluid

Water without chemical additives

### Dimensions



### Dimensions

Code-no.	G	A	B	C	SW
240.5417.000	1/8"	26	16	10	14
240.5418.000	1/4"	26	16	10	14
240.5419.000	3/8"	26	16	10	17
240.5420.000	1/2"	26	17	9	19

### Spare part



### Spare part ER 40 VENT

Code-no.	Description
298.4001.000	Compl. valve insert (incl. seal and swelling discs)

Subject to modification. ES-ER 09/09 PDF e