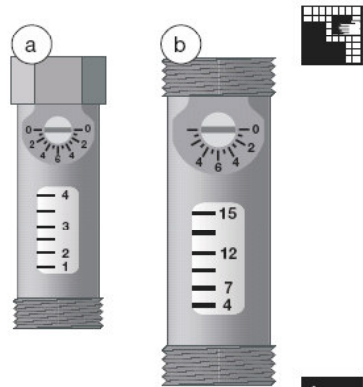


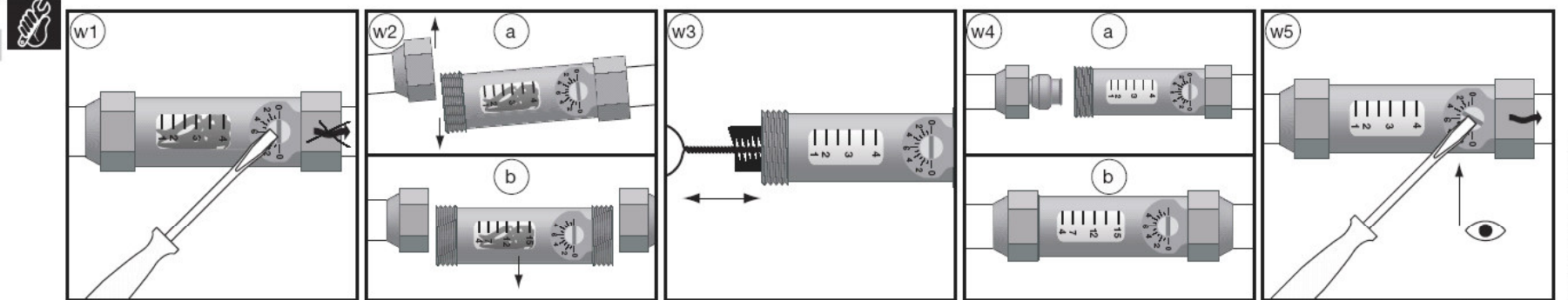
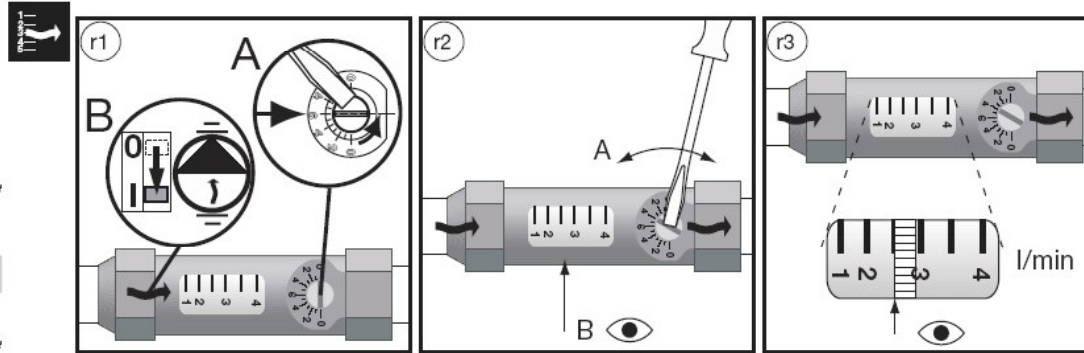
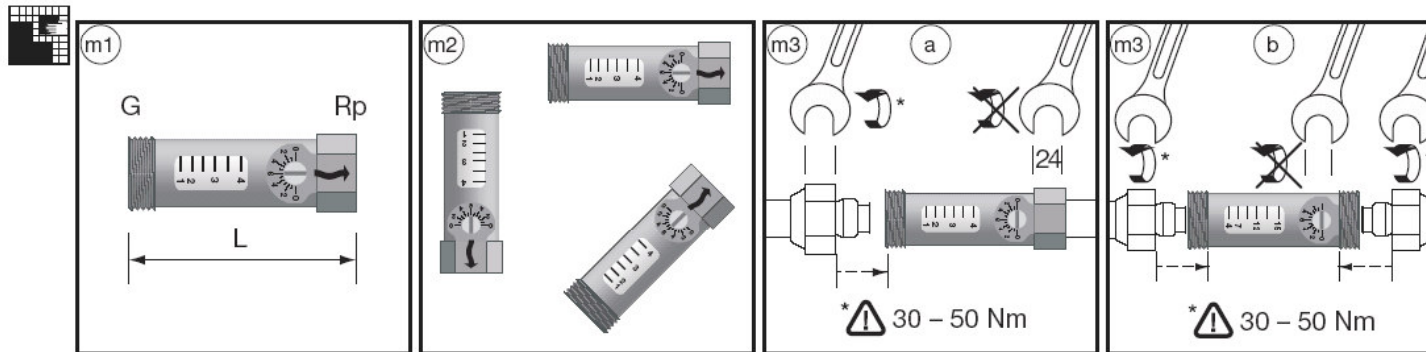
# AV 23 SETTER Inline



| a | DN | G x Rp      | L (mm) | Wrench Size |
|---|----|-------------|--------|-------------|
|   | 15 | 3/4" x 1/2" | 80.5   | 24          |

| b | DN | G x G       | L (mm) | Wrench Size |
|---|----|-------------|--------|-------------|
|   | 15 | 3/4" x 3/4" | 80.5   | 24          |
|   | 20 | 1" x 1"     | 104    | 30          |

|    |        |
|----|--------|
| TB | 100°C  |
| PB | 10 bar |



· Subject to modifications